

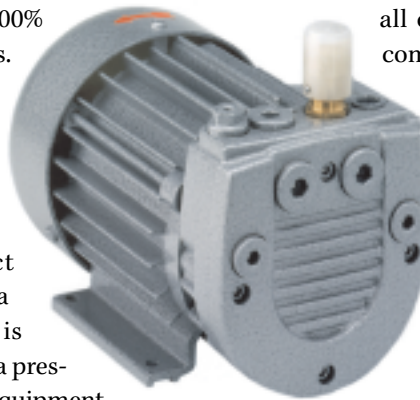
DT 4.4, DT 4.8

ISO 9001 Certified
CE Compliant

100% OIL-LESS COMPRESSORS

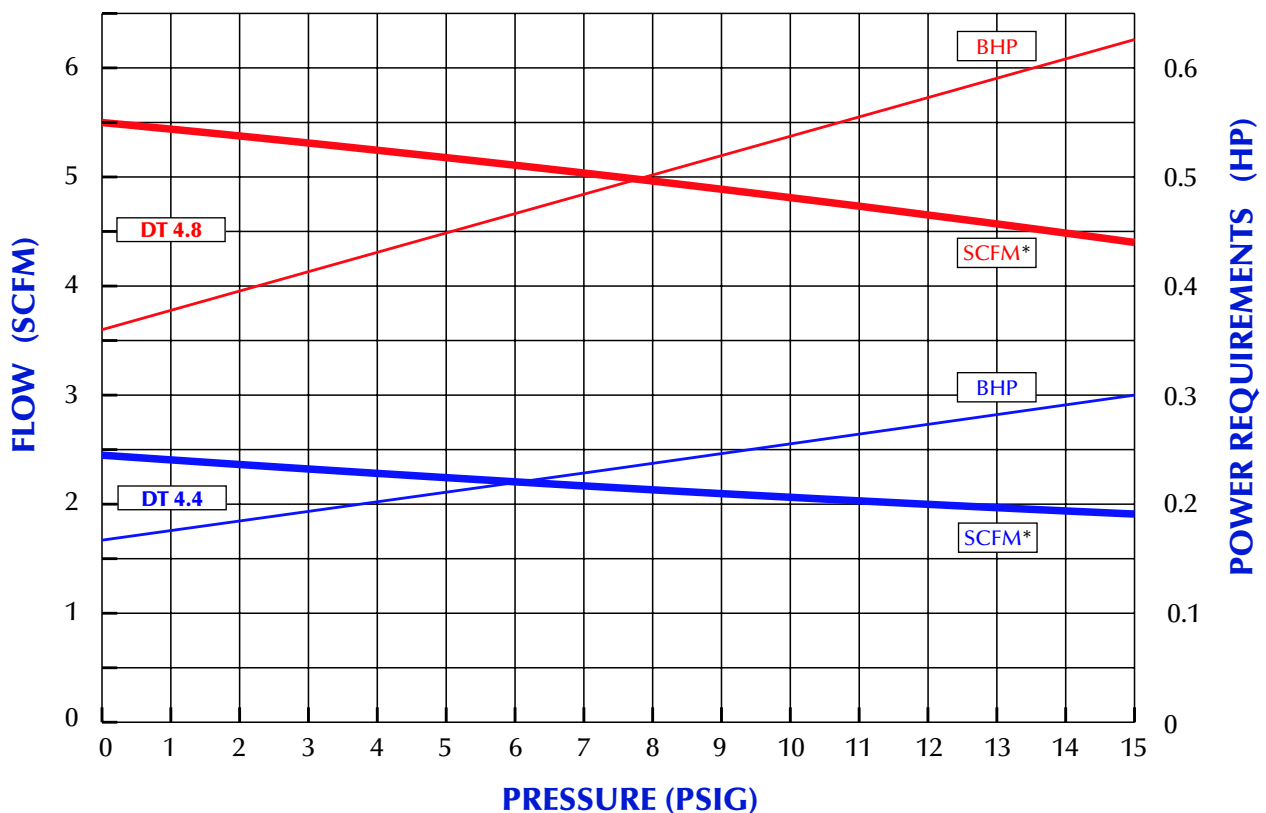
The Becker DT series is a line of 100% Oil-less, rotary vane, compressors. They are designed to operate on a continuous basis throughout a pressure range from atmospheric pressure to 15 PSIG.

Each DT compressor is a direct drive unit and is supplied with a TEFC electric motor. Each unit is equipped with an inlet filter, and a pressure regulating valve as standard equipment,

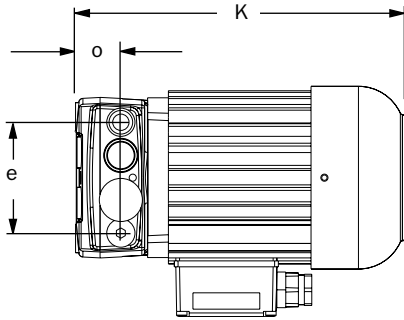


all of which are an integral part of the compressor.

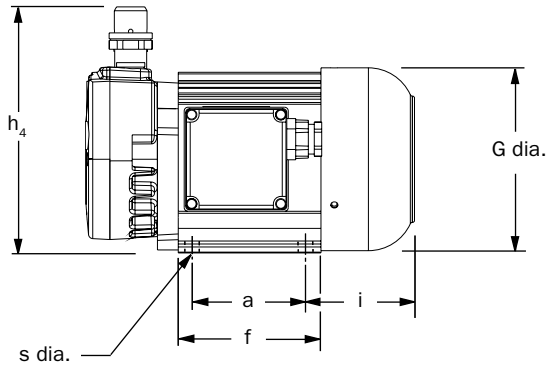
These totally oil-less, or dry, non-polluting compressors are ideal for applications where oil and water are objectionable. Very low maintenance requirements, long vane life, and low noise levels are key features of these units. All Becker DT units use self lubricating graphite composite vanes.



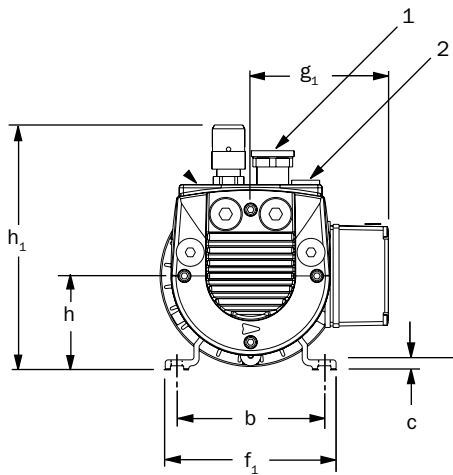
* @ 29.92" Hg Bar. Pr.; 68°F; 36% R.H.; 0.075#/ft³

TECHNICAL DATA


Top View



Side View



End View (Opposite Motor End)

All data based on 60 Hz operation

	DT 4.4	DT 4.8
Flow (SCFM @ 0 PSIG)	2.8	5.6
Horsepower	0.29	0.57
Speed (RPM)	3300	3300
Maximum Pressure (PSIG)	15	15
Weight (lbs.)—w/ motor	14.3	24.3
Noise Level (Max. dBA)	56	59
Inlet size (BSP, inches)	1/4	3/8
Dimensional Data	(Inches)	
a	3.15	3.15
b	3.94	3.94
c	.236	.236
e	2.94	3.11
f	3.78	3.78
f ₁	4.57	4.57
G	4.84	4.84
g ₁	3.66	3.66
h	2.48	2.48
h ₁	4.92	5.16
h ₄	6.52	6.76
i	2.74	2.74
K	8.72	9.1*
o	1.2	1.3
s	0.27	0.27

 Manufacturer reserves right to alter data without notice.
 Configuration of accessories may vary from illustration.

* 3-phase

** 1-phase

1 - Pressure Relief Valve

2 - Discharge Port