

D
Index**KDT 3.100**

Pos.	Ident No.	Description
□	549000 21300	GASKET SET ¹⁾
6	000101 21200	PUMP BODY
9	020005 21200	ROTOR
11	901333 00000	CARBON VANES (4x) ²⁾
15	000803 21200	LID, LEFT
16	000701 21200	LID, RIGHT
17	025512 21200	GASKET
18	001100 21200	BEARING COVER, 3205/C3
19	001000 21200	BEARING COVER, NU 205/ZS
20	025513 21200	GASKET
24	911312 00000	SEAL
25	917152 00000	COMPENSATING DISC
26	906540 00000	SHAFT-SEALING RING
27	906620 00000	BALL BEARING
28	906657 00000	BALL BEARING
31	511400 10100	SET DISTANCE DISC
38	016801 21100	CLAMPING DISC
39	949807 00000	SCREW
41	945224 00000	HEX-HEAD SCREW
42	945220 00000	HEX-HEAD SCREW
45	948742 00000	STRAIGHT PIN
47	947736 00000	KEY
50	053201 21300	CONNECTION FLANGE
52	950308 00000	WASHER
53	945331 00000	SOCKET HEAD SCREW
55	011400 21200	DISTANCE DISC
56	544500 21200	COUPLING WITH FAN
57	949409 00000	WASHER
58	945270 00000	SHAFT END BOLD
61	040102 21300	FILTER HOUSING
62	025501 21300	GASKET
64	951009 00000	STUD
65	951003 00000	STUD
67	964407 00000	SILENCER TUBE
68	909507 00000	FILTER CARTRIDGE C 1112/2 (2x) ²⁾
71	009000 27000	LEAF SPRING
72	948750 00000	BLIND RIVET
73	040201 21300	FILTER COVER
75	025518 21300	GASKET
76	025516 21100	GASKET
77	022802 21100	FILTER HOLDER
79	945320 00000	SOCKET HEAD SCREW
80	946944 00000	STUD
81	947504 00000	WASHER
82	947104 00000	HEX.NUT
83	952019 00000	LOCATING PEG
85	025514 21100	GASKET
86	025515 21100	GASKET
88	560203 21300	COOLER
91	909514 00000	FILTER CARTRIDGE C 718 (1x) ²⁾
93	903800 70000	STUD
94	947105 00000	HEX.NUT
95	949450 00000	WASHER
97	950304 00000	WASHER
98	945321 00000	SOCKET HEAD SCREW
103	068801 21300	DUST SEPARATOR COVER
104	025515 21300	GASKET
110	921500 50000	HANDLE
121	560204 21300	COOLER
122	025506 21300	GASKET

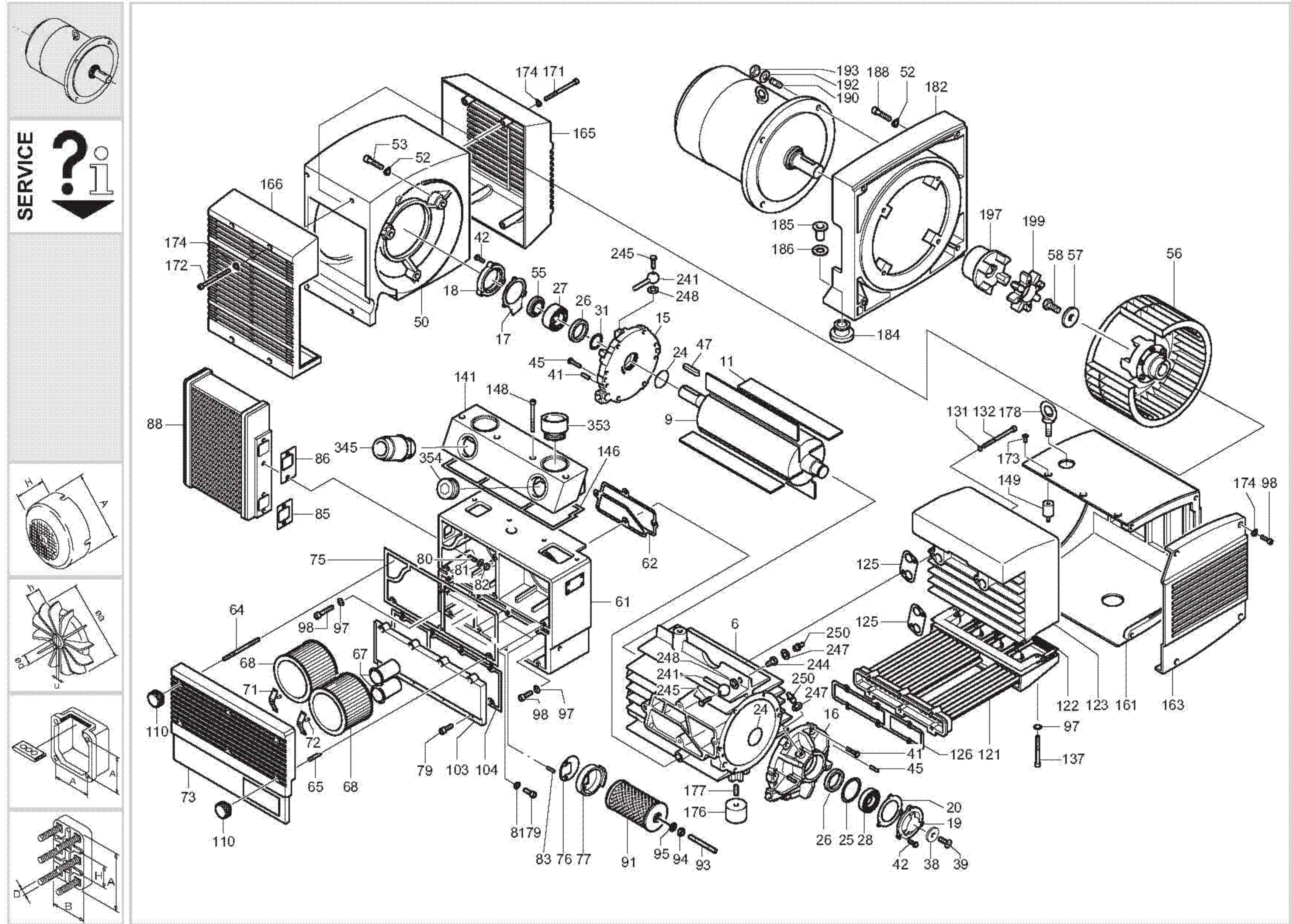
**D**
Index**KDT 3.100**

Pos.	Ident No.	Description
123	066801 21300	PRESSURE CONNECTION BOX
125	025504 21300	GASKET
126	025514 21300	GASKET
131	948021 00000	SEALING RING
132	945374 00000	SOCKET HEAD SCREW
137	945322 00000	SOCKET HEAD SCREW
141	016604 21300	CONNECTING PIECE
146	025507 21300	GASKET
148	945364 00000	SOCKET HEAD SCREW
149	741310 30000	RUBBER BUFFER
161	918300 21300	COVERING HOOD
163	920800 21300	AIR GUIDE COVER RING
165	960700 21300	VENTILATOR HOOD
166	960701 21300	VENTILATOR HOOD
171	945371 00000	SOCKET HEAD SCREW
172	945372 00000	SOCKET HEAD SCREW
173	949806 00000	COUNTERSUNK SCREW
174	951703 00000	SPRING DISC
176	741302 00000	RUBBER BUFFER
177	945634 00000	THREADED PIN
178	948802 00000	RING SCREW
182	014902 21300	FLANGE
184	951916 00000	RUBBER BUSHING
185	948772 00000	PIPE RIVET
186	947508 00000	WASHER
188	945335 00000	SOCKET HEAD SCREW
190	951018 00000	STUD
192	947506 00000	WASHER
193	947106 00000	HEX.NUT
197	902108 00000	COUPLING
199	902209 00000	COUPLING DISC
241	012200 21200	OIL-PIPE
244	912300 00000	CONNECTING SCREW
245	009400 19000	HOLLOW HOLDING SCREW
247	948074 00000	SEALING RING
248	948021 00000	SEALING RING
250	949002 00000	GREASE NIPPLE
345	728000 99622	PRESSURE REGULATION VALVE / 8,7 PSI
345	728001 99622	PRESSURE REGULATION VALVE / 14,5 PSI
345	728002 99622	PRESSURE REGULATING VALVE / 29 PSI
345	728003 99622	PRESSURE REGULATING VALVE / 4,35 PSI
353	953111 00000	NOZZLE
354	912805 00000	PLUG

¹⁾ Set of seals - 54900021300 - Pos.: 17, 20, 24, 62, 75, 76, 85, 86, 104, 122, 125, 126, 146²⁾ necessary order quantity / maintenance**OPTIONAL**

KDT 3.100	USA	all types
	B5-300	Special design – motor flange
	/0-05	Special design – corrosion protection
	/0-52	Special design – corrosion protection and special vanes
	/0-54	Special design – refrigeration
	/6-29	Special design – corrosion protection and intensified pressure

Items different from standard appliance see appendix (back of drawing) 



SERVICE ?

standard

KDT 3.100

optional
en option
opcionale
opcional