

D
Index

| Pos. | Ident No. | Description |
|------|--------------|---------------------------------------|
| □ | 549000 21100 | SET OF SEALS * |
| 6 | 000100 21600 | PUMP BODY |
| 9 | 020004 21100 | ROTOR |
| 11 | 901330 00000 | CARBON VANES (4x) |
| 15 | 000801 21100 | LID |
| 16 | 000701 21100 | LID |
| 18 | 001100 21100 | BEARING COVER |
| 19 | 001000 21100 | BEARING COVER |
| 20 | 025511 21100 | GASKET |
| 24 | 911312 00000 | SEAL |
| 26 | 917152 00000 | COMPENSATING DISC |
| 27 | 906540 00000 | SHAFT-SEALING RING |
| 28 | 906612 50000 | BALL BEARING |
| 29 | 906657 00000 | BALL BEARING |
| 31 | 511400 10100 | SET DISTANCE DISC |
| 37 | 945217 00000 | HEX HEAD SCREW |
| 38 | 016801 21100 | CLAMPING DISC |
| 39 | 949807 00000 | SCREW |
| 41 | 945224 00000 | HEX-HEAD SCREW |
| 42 | 945220 00000 | HEX-HEAD SCREW |
| 45 | 948742 00000 | STRAIGHT PIN |
| 47 | 947736 00000 | KEY |
| 50 | 053201 21100 | CONNECTION FLANGE |
| 52 | 950308 00000 | WASHER |
| 53 | 945337 00000 | SOCKET HEAD SCREW |
| 57 | 949409 00000 | WASHER |
| 58 | 945270 00000 | SHAFT END BOLD |
| 61 | 040101 21100 | FILTER HOUSING |
| 62 | 025501 21100 | GASKET |
| 64 | 946955 00000 | STUD |
| 65 | 951003 00000 | STUD |
| 67 | 964407 00000 | SILENCER TUBE |
| 68 | 909507 00000 | FILTER CARTRIDGE C 1112/2 (1x) |
| 71 | 009000 27000 | LEAF SPRING |
| 73 | 040201 21100 | FILTER-COVER |
| 75 | 025518 21100 | GASKET |
| 76 | 025516 21100 | GASKET |
| 77 | 022802 21100 | FILTER HOLDER |
| 79 | 945320 00000 | SOCKET HEAD SCREW |
| 81 | 947504 00000 | WASHER |
| 83 | 952019 00000 | LOCATING PEG |
| 85 | 025514 21100 | GASKET |
| 91 | 909510 00000 | FILTER CARTRIDGE C 713 (1x) |
| 93 | 946965 00000 | STUD |
| 94 | 947105 00000 | HEX.NUT |
| 95 | 949450 00000 | WASHER |
| 97 | 950304 00000 | WASHER |
| 98 | 945322 00000 | SOCKET HEAD SCREW |
| 103 | 068801 21100 | COVER |
| 104 | 025513 21100 | GASKET |
| 105 | 945319 00000 | SOCKET HEAD SCREW |
| 106 | 950304 00000 | WASHER |
| 110 | 921500 50000 | HANDLE |
| 121 | 560204 21100 | COOLER |
| 125 | 025504 21100 | GASKET |
| 126 | 025512 21100 | GASKET |
| 127 | 025517 21100 | GASKET |
| 129 | 945372 00000 | SOCKET HEAD SCREW |
| 130 | 945328 00000 | SOCKET HEAD SCREW |
| 131 | 945320 00000 | SOCKET HEAD SCREW |

**D**
Index

| Pos. | Ident No. | Description |
|------|--------------|-------------------------|
| 132 | 946930 00000 | STUD |
| 134 | 005602 21100 | COVER |
| 142 | 016605 21100 | CONNECTING PIECE |
| 146 | 025507 21100 | GASKET |
| 148 | 945368 00000 | SOCKET HEAD SCREW |
| 149 | 741310 30000 | RUBBER BUFFER |
| 150 | 950304 00000 | WASHER |
| 161 | 918300 21100 | COVERING HOOD |
| 163 | 920800 21100 | AIR GUIDE HOOD |
| 165 | 960700 21100 | VENTILATOR HOOD |
| 170 | 945321 00000 | SOCKET HEAD SCREW |
| 171 | 945371 00000 | SOCKET HEAD SCREW |
| 172 | 945319 00000 | SOCKET HEAD SCREW |
| 173 | 949806 00000 | SCREW M6X10 |
| 174 | 951703 00000 | SPRING DISC |
| 175 | 741302 00000 | RUBBER BUFFER 781084 |
| 176 | 945634 00000 | THREADED PIN |
| 178 | 951602 00000 | RING UNIT |
| 182 | 014900 21600 | FLANGES |
| 184 | 951916 00000 | RUBBER BUSHING |
| 185 | 948772 00000 | PIPE RIVET |
| 186 | 947508 00000 | WASHER |
| 188 | 945333 00000 | SOCKET HEAD SCREW |
| 189 | 950308 00000 | WASHER |
| 190 | 951018 00000 | STUD |
| 191 | 947506 00000 | WASHER |
| 192 | 947106 00000 | HEX.NUT |
| 195 | 902100 21600 | COUPLING |
| 196 | 902209 00000 | COUPLING DISC |
| 197 | 544501 21100 | COUPLING WITH FAN |
| 210 | 560700 21100 | VENTILATOR HOOD, COMPL. |
| 282 | 736001 99624 | VACUUM REGULATING VALVE |
| 288 | 948066 00000 | SEALING RING |
| 293 | 727503 99323 | BLOW-OFF VALVE |



* Complete set of seals - 54900021100

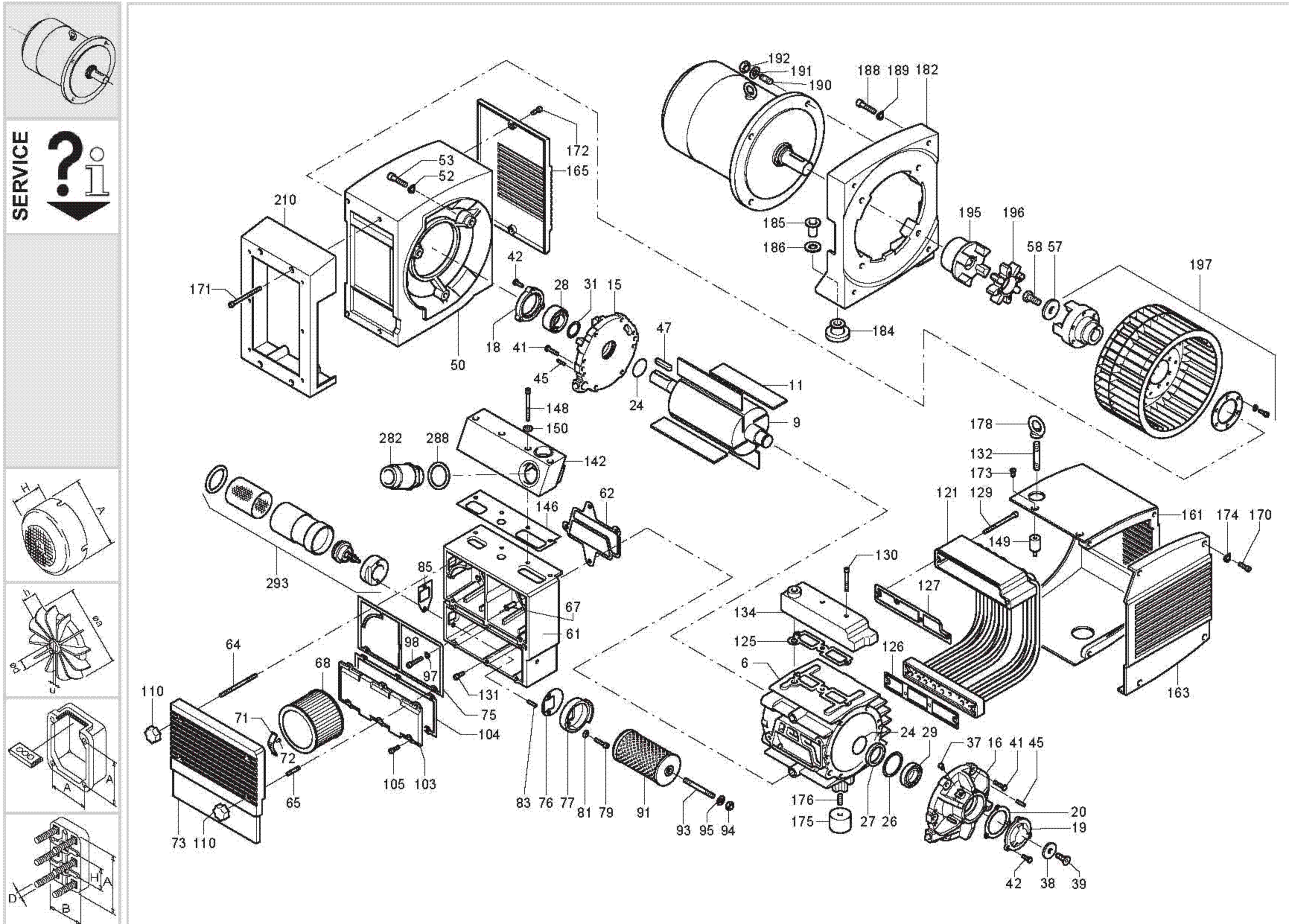
Pos.: 20, 24, 62, 75, 76, 85, 104, 125, 126, 127, 146, 288

OPTIONAL

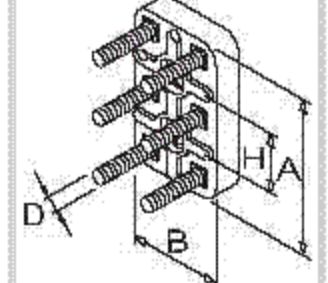
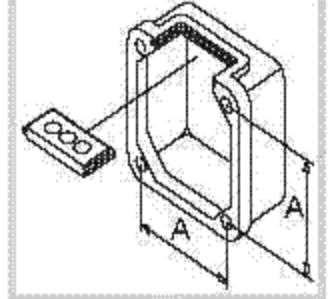
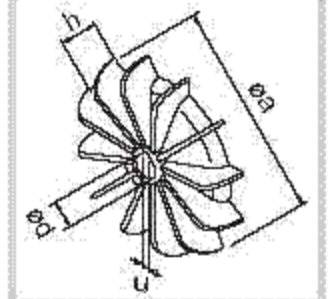
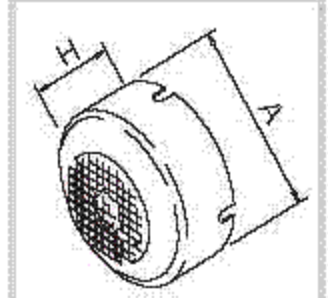
| | | |
|----------|----------|---|
| KVT 3.60 | USA | all types |
| | /0-54 | Special design - exhaust air rear guide |
| | /5 | Special design - motor |
| | (B5/250) | Special design - motor |

Items different from standard appliance see appendix (back of drawing)





SERVICE ?



standard

KVT 3.60

optional
en option
opcionale
opcional