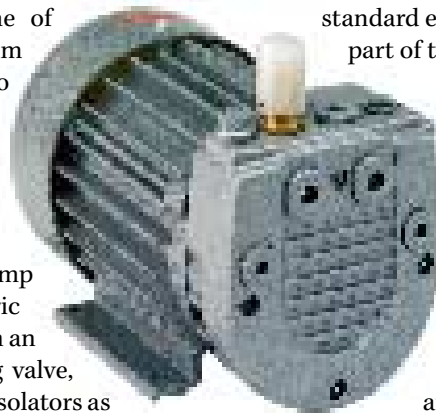


VT 4.4, VT 4.8

100% OIL-LESS VACUUM PUMPS

The Becker VT series is a line of 100% Oil-less, rotary vane, vacuum pumps. They are designed to operate on a continuous basis throughout a pressure range from atmospheric pressure to 25.5 Inches Hg.

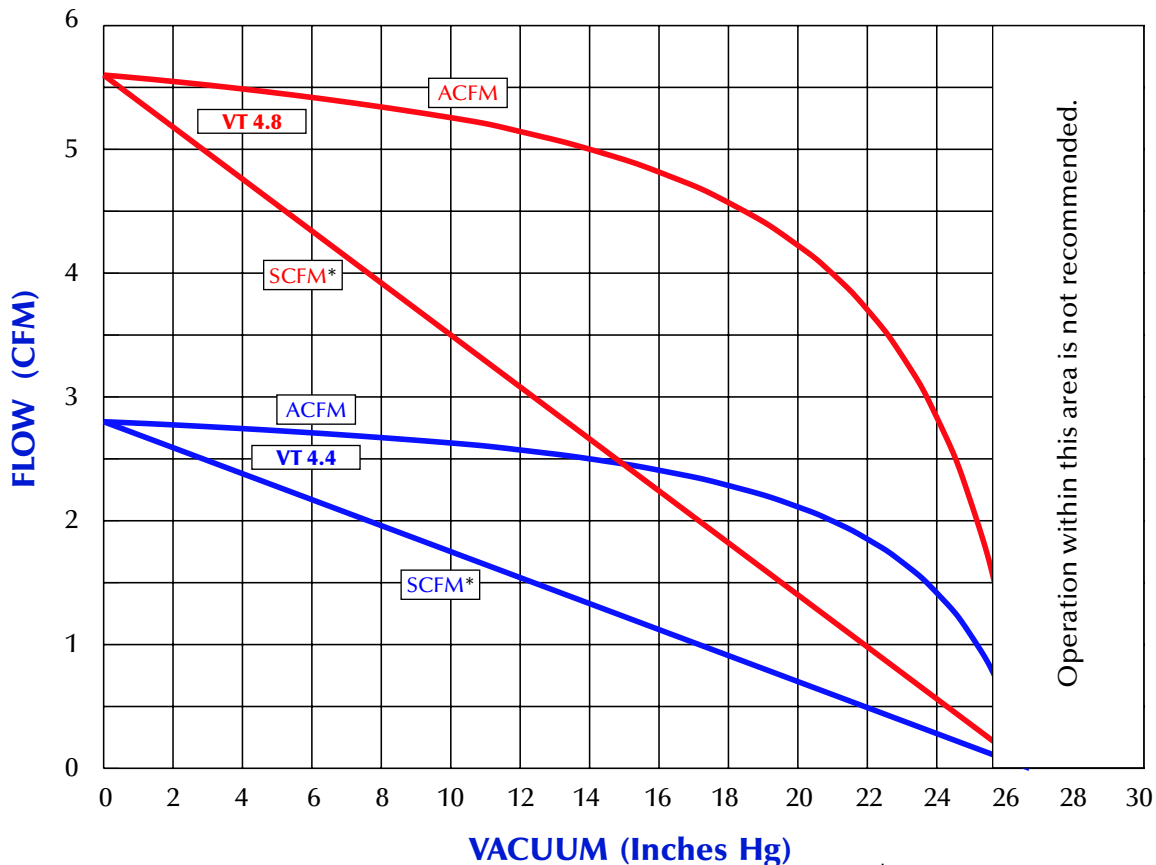
Each VT unit is a direct drive pump and is supplied with a TEFC electric motor. Each unit is equipped with an inlet filter, a vacuum regulating valve, discharge silencer, and vibration isolators as



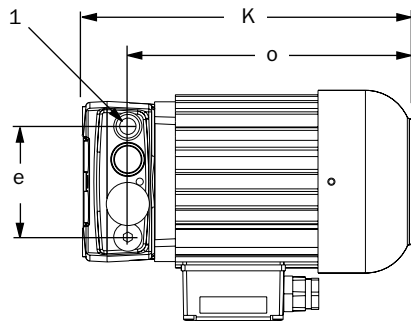
standard equipment, all of which are an integral part of the vacuum pump.

The Becker VT vacuum pump is ideal for applications where air is the gas and where the discharge must be totally free of oil. Very low maintenance requirements, long vane life, and low noise levels are key features of these pumps. Applications for the VT pump include graphic arts, robotics and material handling, packaging, air sampling, and paper converting.

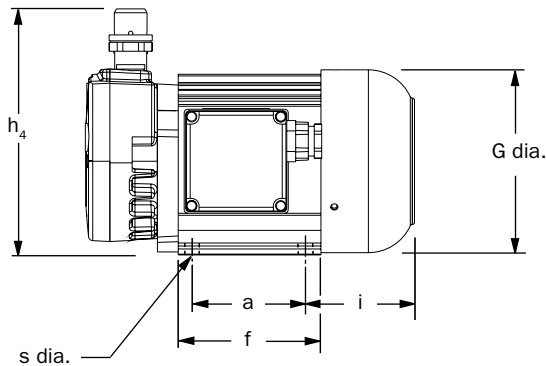
Actual appearance of pump accessories may vary from the illustration



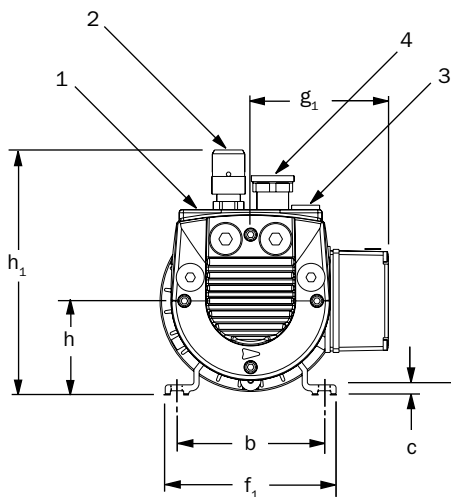
* @ 29.92" Hg Bar. Pr.; 68°F; 36% R.H.; 0.075#/ft³

TECHNICAL DATA


Top View



Side View



End View (Opposite Motor End)

All data based on 60 Hz operation

	VT 4.4	VT 4.8
Flow (SCFM @ 0 In. Hg)	2.8	5.6
Horsepower	0.32	0.56
Speed (RPM)	3300	3300
Maximum Vacuum (In. Hg)	25.5	25.5
Weight (lbs.)—w/ motor	15.4	24.3
Noise Level (Max. dBA)	56	59
Inlet size (BSP, inches)	1/4	3/8
Dimensional Data	(Inches)	
a	3.15	3.15
b	3.94	3.94
c	.236	.236
e	2.94	3.11
f	3.78	3.78
f ₁	4.57	4.57
G	4.84	4.84
g ₁	3.66	3.66
h	2.48	2.48
h ₁	4.92	5.16
h ₄	6.52	6.76
i	2.74	2.74
K	8.72	9.10*
o		9.9**
s	0.27	0.27

Manufacturer reserves right to alter data without notice.

 * Three Phase Motor
 ** Single Phase Motor

- 1 - Inlet Port
- 2 - Vacuum Relief Valve
- 3 - Discharge Port (plugged)
- 4 - Exhaust Air Silencer