



Pos.	Ident No.	Description
□	549000 40300	<b>SET OF SEALS*</b>
6	000100 40300	PUMP BODY
7	020001 40300	ROTOR
8	900583 00000	<b>VANES (3x)</b>
9	000700 40300	LID
11	913117 90000	O-RING
12	913161 00000	O-RING
14	945371 00000	SOCKET HEAD SCREW
15	945376 00000	SOCKET HEAD SCREW
16	947628 00000	STRAIGHT PIN
17	945805 00000	THREADED PIN
18	946917 00000	STUD
19	948507 00000	SPRING WASHER
20	947105 00000	HEX.NUT
21	901807 00000	SCREW
22	949203 00000	TOOTHED SPRINGWASHER
23	016800 05000	CLAMPING DISC
24	537500 10700	VALVE
25	028501 10700	VALVE BOLT
26	928600 70000	PRESSURE SPRING
27	630700 10700	VALVE WASHER
28	033901 10700	VALVE PLATE
29	030700 18700	VALVE WASHER
31	003100 40300	GASKET
34	965413 00000	<b>OIL SEPARATING ELEMENT (1x)</b>
39	945618 00000	THREADED PIN
40	912871 00000	LOCKING SCREW
47	727503 99628	BLOW-OFF VALVE
49	945620 00000	THREADED PIN
50	867800 99559	FLOAT
53	005001 40300	SIEVE
59	003000 40300	GASKET
60	503701 40300	COVER
61	945319 00000	SOCKET HEAD SCREW
62	948021 00000	SEALING RING
63	945320 00000	SOCKET HEAD SCREW
64	005000 40300	SIEVE
65	948227 00000	SEEGER-LOCKRING
66	537501 18900	NON RETURN VALVE
67	948010 00000	ALUMINIUM SEAL
68	068100 40300	SUPPORT PILLAR
69	945623 00000	THREADED PIN
72	741310 80000	RUBBER BUFFER
85	016802 40300	CLAMPING DISC
87	953125 00000	NOZZLE
90	948402 00000	HOLLOW SCREW



Pos.	Ident No.	Description
91	948030 00000	SEALING RING
93	921500 50000	HANDLE
95	960201 40300	COOLER
201	002400 40300	HOUSING FOR OIL SEPARATION
203	907302 00000	OIL SIGHT GLASS
204	948078 00000	GASKET
205	951221 00100	LOCKING SCREW + GASKET
206	951202 00100	LOCKING SCREW + GASKET
208	912306 00000	CONNECTING SCREW
210	916800 10000	COVER
211	913116 50100	O-RING
215	003300 10700	NOZZLE
216	912300 00000	CONNECTING SCREW
217	948002 00000	SEALING RING
218	009400 19000	HOLLOW HOLDING SCREW
219	012200 40300	PIPE

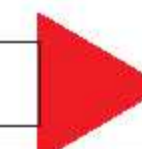


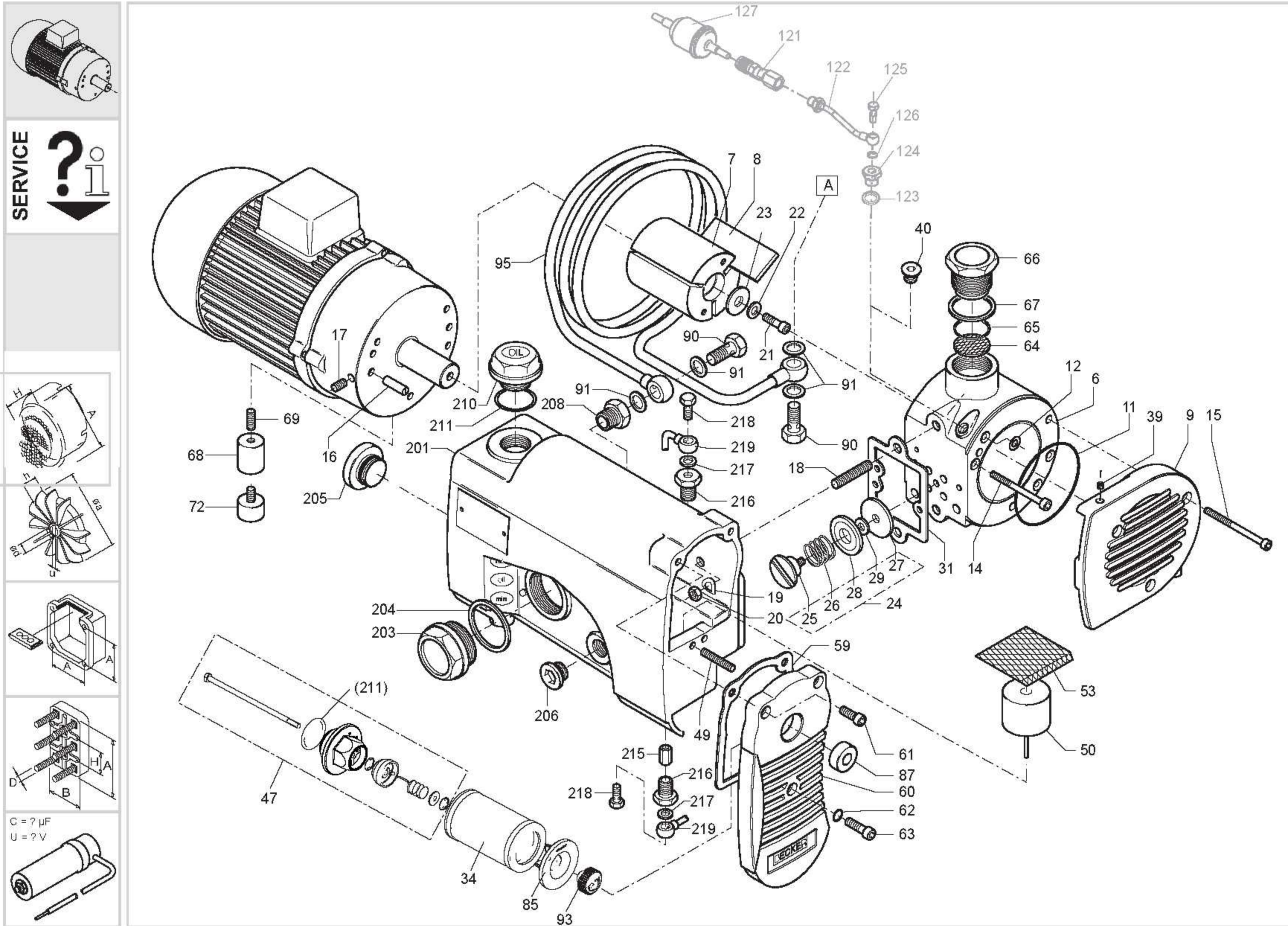
\* **COMPLETE SET OF SEALS** - 549000 40300  
 POS.: 11, 12, 27, 29, 31, 59, 62, 67, 91, 123, 149, 204, 211, 217

OPTIONAL

- U 4.20 - 09** Special design - with gas ballast valve
- U 4.20 - 53** Special design - with water radiator
- U 4.20 - 55** Special design - with double-check valve

Items different from standard appliance see appendix (back of drawing)





**SERVICE** ?

C = ?  $\mu$ F  
U = ? V

**standard**

U 4.20 (3~)

**optional**  
en option  
opcionale  
opcional