

**A**  
Index

Pos.	Ident No.	Description
□	549000 40500	<b>SET OF SEALS *</b>
4	500101 40500	PUMP BODY
6	020000 40500	ROTOR
7	900585 00000	<b>VANES (3)</b>
8	000700 40500	LID
9	945618 00000	THREADED PIN
14	945373 00000	SOCKET HEAD SCREW
15	945374 00000	SOCKET HEAD SCREW
16	947628 01000	STRAIGHT PIN
17	945801 01000	THREADED PIN
18	901807 00000	SCREW
19	949203 00000	TOOTHED SPRING WASHER
20	016800 05000	CLAMPING DISC
21	537500 10700	VALVE
22	028501 10700	VALVE BOLT
23	928600 70000	PRESSURE SPRING
24	033901 10700	VALVE PLATE
28	946917 00000	STUD
29	917107 00000	CUP SPRING
30	947105 00000	HEX.NUT
32	951228 02000	LOCKING SCREW
36	068101 40500	FLANGES
37	945634 00000	THREADED PIN
38	741310 60000	RUBBER BUFFER
44	867800 99559	FLOAT
45	005001 40300	SIEVE
47	727503 99628	BLOW-OFF VALVE
58	965414 00000	<b>OIL SEPARATING ELEMENT (1)</b>
59	016802 40300	CLAMPING DISC
60	921500 50000	HANDLE
63	003700 40500	COVER
66	945320 00000	SOCKET HEAD SCREW
67	953103 00000	NOZZLE
72	005000 40500	METAL FILTER
74	945321 00000	SOCKET HEAD SCREW
82	960200 40500	COOLER
83	917800 40500	RETAINING RING
84	960700 40500	VENTILATOR HOOD
85	946308 00000	CYLINDER SCREW
86	948750 00000	BLIND RIVET
89	912317 00000	CONNECTING SCREW
90	948407 00000	HOLLOW SCREW
94	012203 40500	PIPE
95	012204 40500	PIPE
101	002401 40500	HOUSING FOR OIL SEPARATOR
103	907309 00000	OIL SIGHT GLASS

**A**  
Index

Pos.	Ident No.	Description
105	951219 00000	LOCKING SCREW
107	951221 00000	LOCKING SCREW
110	916800 10000	COVER
114	912318 00000	CONNECTING SCREW
115	003300 10700	NOZZLE
116	912300 00000	CONNECTING SCREW
118	009400 19000	HOLLOW HOLDING SCREW
119	012200 40300	PIPE
197	741103 99683	OIL LEVEL CONTROL - <b>OPTIONAL</b>
201	007801 40500	SCREWED FLANGE - STANDARD
202	007802 40500	SCREWED FLANGE 90° - <b>OPTIONAL</b>
203	537506 99633	NON RETURN VALVE

\* **COMPLETE SET OF SEALS** - 549000 40500

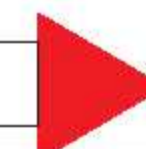
POS.: 11, 12, 25, 26, 33, 42, 55, 62, 65, 73, 91, 104, 106, 108, 117, 208

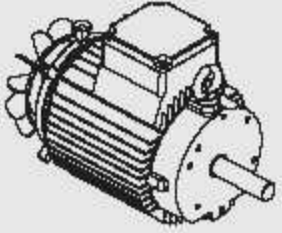
OPTIONAL


**U 4.40 / 09**

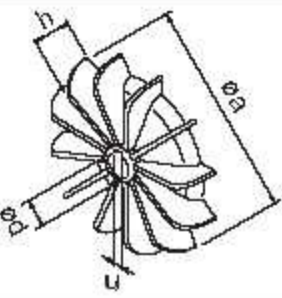
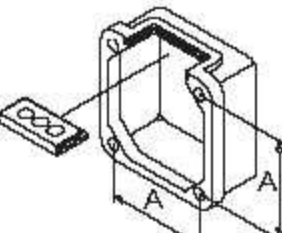
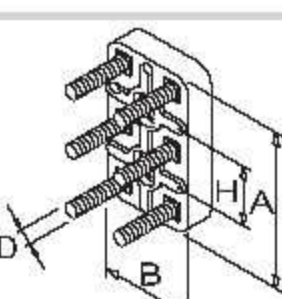
Special design - with gas ballast valve

Items different from standard appliance see appendix (back of drawing)

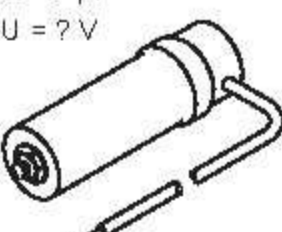
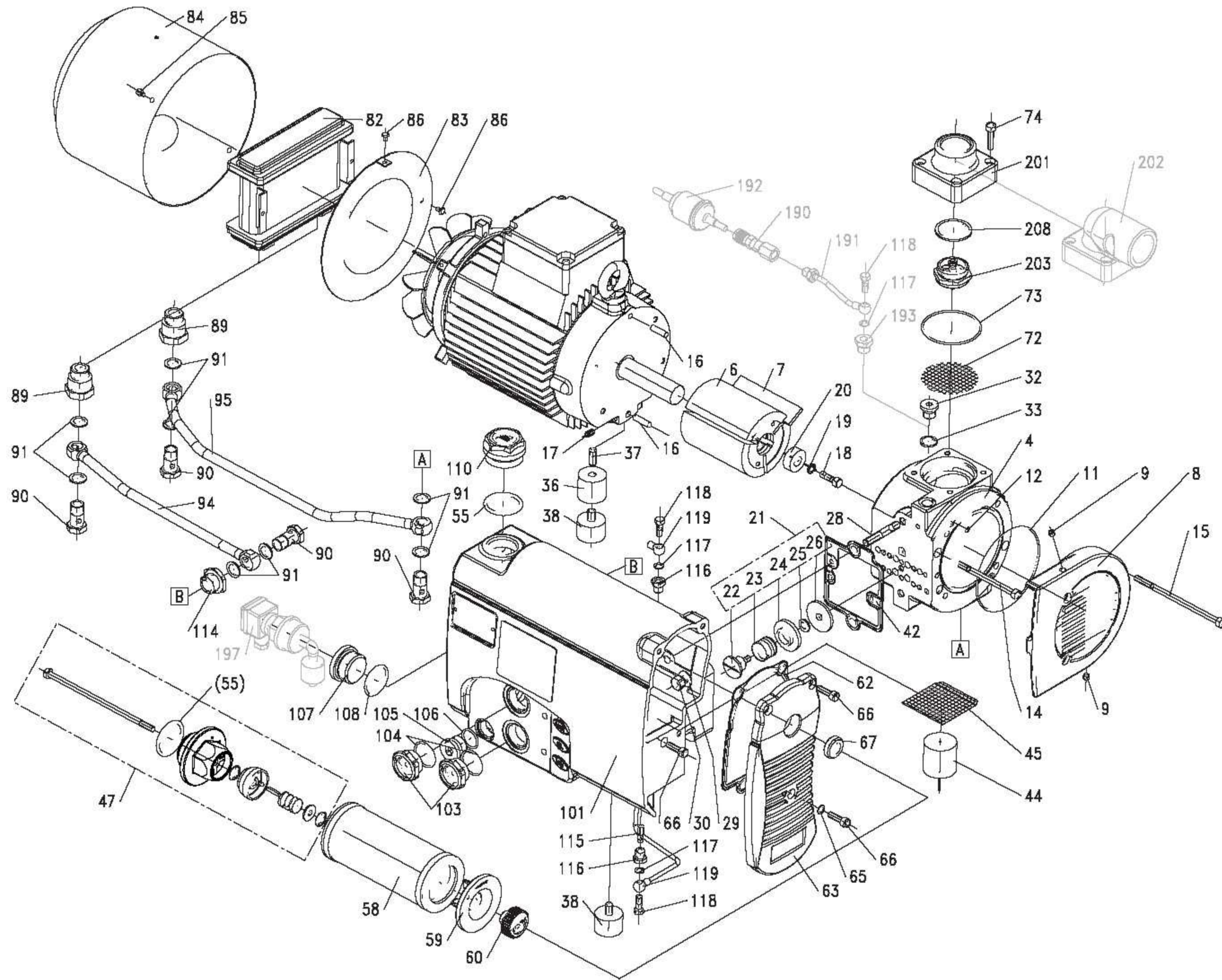




**SERVICE** ? 

C = ?  $\mu$ F  
U = ? V

 standard

U 4.40

optional  
en option  
opcionale  
opcional 