



| Pos. | Ident No.    | Description                        |
|------|--------------|------------------------------------|
| □    | 549000 26700 | <b>COMPLETE SET OF SEALS *</b>     |
| 2    | 000100 26700 | PUMP-BODY                          |
| 3    | 020000 26700 | ROTOR                              |
| 4    | 951213 00000 | LOCKING SCREW                      |
| 6    | 900581 00000 | <b>PLASTIC VANES (3x)</b>          |
| 7    | 030703 26600 | WASHER                             |
| 8    | 906617 50000 | BEARING                            |
| 9    | 906600 00700 | INTERIOR RING                      |
| 10   | 906600 00800 | INTERIOR RING                      |
| 11   | 945331 00000 | SOCKET HEAD SCREW                  |
| 12   | 948209 00000 | SEEGER-LOCKRING                    |
| 14   | 906595 00000 | SHAFT SEALING RING                 |
| 17   | 912871 00000 | LOCKING SCREW                      |
| 18   | 000800 26600 | LID                                |
| 19   | 000700 26600 | LID                                |
| 20   | 951211 00000 | LOCKING SCREW                      |
| 21   | 948744 00000 | GROOVED PIN                        |
| 22   | 945390 00000 | SOCKET HEAD SCREW                  |
| 24   | 005600 26600 | COVER                              |
| 29   | 029100 26600 | VALVE SUPPORT                      |
| 30   | 033904 26600 | VALVE PLATE                        |
| 33   | 928603 10000 | PRESSURE SPRING                    |
| 34   | 007800 26600 | FLANGE                             |
| 35   | 948225 00000 | LOCKING RING                       |
| 36   | 008000 26600 | SIEVE                              |
| 37   | 945351 00000 | SOCKET HEAD SCREW                  |
| 38   | 946987 00000 | STUD                               |
| 39   | 003700 26600 | COVER                              |
| 42   | 947410 00000 | CAP NUT                            |
| 43   | 951604 00000 | RING UNIT                          |
| 44   | 947514 00000 | WASHER                             |
| 72   | 002400 26600 | HOUSING FOR OIL SEPARATION         |
| 74   | 022800 26600 | FILTER HOLDER                      |
| 76   | 951047 02000 | STUD                               |
| 77   | 033901 26600 | VALVE PLATE                        |
| 78   | 030700 26600 | VALVE WASHER                       |
| 79   | 917551 04000 | DISTANCE DISC                      |
| 80   | 948128 04000 | SEEGER LOCKRING                    |
| 81   | 928602 80000 | PRESSURE SPRING                    |
| 82   | 950185 00000 | SEEGER-LOCKRING                    |
| 83   | 005603 26600 | COVER                              |
| 84   | 945637 00000 | THREADED PIN                       |
| 85   | 068005 26600 | SPACER BLOCK                       |
| 89   | 965411 00000 | <b>OIL SEPARATION ELEMENT (2x)</b> |
| 90   | 068008 26600 | SPACER BLOCK                       |
| 91   | 518301 26700 | PROTECTING HOOD                    |
| 92   | 951041 02000 | STUD                               |
| 94   | 506000 12900 | FILTER INSERT                      |
| 95   | 905600 21900 | COVER                              |
| 96   | 947505 00000 | WASHER                             |
| 97   | 947105 00000 | HEX.NUT                            |
| 98   | 068000 21800 | SPACER TUBE                        |
| 100  | 002504 26600 | OIL SEPARATOR COVER                |
| 102  | 945391 00000 | SOCKET HEAD SCREW                  |
| 103  | 945392 00000 | SOCKET HEAD SCREW                  |
| 105  | 002500 26600 | OIL SEPARATOR COVER                |
| 107  | 945395 00000 | SOCKET HEAD SCREW                  |
| 108  | 945394 00000 | SOCKET HEAD SCREW                  |
| 110  | 008003 26600 | SIEVE                              |
| 112  | 867800 99559 | FLOAT                              |
| 113  | 912300 00000 | CONNECTING SCREW                   |
| 114  | 912305 00000 | CONNECTION SCREW                   |
| 115  | 003300 10700 | NOZZLE                             |
| 117  | 002501 26600 | OIL SEPARATOR COVER                |
| 122  | 907309 00000 | OIL SIGHT GLASS                    |
| 123  | 951220 00000 | LOCKING SCREW                      |
| 126  | 916800 10000 | COVER                              |
| 131  | 946945 00000 | STUD                               |
| 133  | 951221 00000 | LOCKING SCREW                      |
| 140  | 002501 26700 | OIL SEPARATOR COVER                |
| 142  | 945396 00000 | SOCKET HEAD SCREW                  |



| Pos. | Ident No.    | Description          |
|------|--------------|----------------------|
| 144  | 068006 26600 | SPACER BLOCK         |
| 145  | 948215 00000 | SEEGER-LOCKRING      |
| 146  | 928603 30000 | PRESSURE SPRING      |
| 151  | 502301 26700 | FAN                  |
| 175  | 948401 00000 | HOLLOW SCREW         |
| 176  | 048400 26600 | HOLLOW SCREW         |
| 177  | 945224 00000 | HEX-HEAD SCREW       |
| 178  | 030701 26600 | VALVE WASHER         |
| 179  | 030702 26600 | VALVE WASHER         |
| 180  | 016801 26600 | CLAMPING DISC        |
| 182  | 928603 20000 | PRESSURE SPRING      |
| 183  | 016800 26600 | CLAMPING DISC        |
| 184  | 028500 26600 | VALVE BOLT           |
| 186  | 947104 00000 | HEX.NUT              |
| 187  | 013900 26600 | METAL FILTER         |
| 188  | 945330 00000 | SOCKET HEAD SCREW    |
| 189  | 947506 00000 | WASHER               |
| 192  | 947107 00000 | HEX .NUT             |
| 194  | 948516 00000 | SPRING WASHER        |
| 197  | 947820 00000 | KEY                  |
| 198  | 062900 26600 | WASHER               |
| 201  | 945310 10000 | SOCKET HEAD SCREW    |
| 202  | 053200 26700 | CONNECTION FLANGE    |
| 203  | 945388 00000 | SOCKET HEAD SCREW    |
| 204  | 947515 00000 | WASHER               |
| 205  | 948511 00000 | SPRING WASHER        |
| 211  | 003701 26600 | COVER                |
| 212  | 945333 00000 | SOCKET HEAD SCREW    |
| 215  | 741341 00000 | RUBBER BUFFER        |
| 216  | 945633 00000 | THREADED PIN         |
| 217  | 068001 26600 | SPACING COLLAR       |
| 218  | 946811 00000 | STUD                 |
| 222  | 560200 26700 | COOLER               |
| 223  | 945349 00000 | SOCKET HEAD SCREW    |
| 224  | 951710 00000 | SPRING DISC          |
| 227  | 902104 26700 | MOTOR COUPLING       |
| 228  | 902232 00000 | COUPLING DISC        |
| 229  | 068005 26700 | SPACING COLLAR       |
| 231  | 946962 00000 | STUD                 |
| 233  | 947109 00000 | HEX .NUT             |
| 234  | 947509 00000 | WASHER               |
| 237  | 761704 00000 | THREADED JOINT       |
| 238  | 512204 26600 | OIL PIPE             |
| 239  | 512200 26600 | OIL RETURN PIPE      |
| 240  | 761702 00000 | THREADED JOINT       |
| 241  | 512201 26700 | PIPE                 |
| 243  | 761703 00000 | THREADED JOINT       |
| 244  | 512202 26600 | PIPE                 |
| 245  | 512203 26700 | PIPE                 |
| 248  | 064101 57000 | RUBBER PROFIL        |
| 251  | 009400 19000 | HOLLOW HOLDING SCREW |
| 255  | 518302 26700 | PROTECTING HOOD      |
| 256  | 945389 00000 | SOCKET HEAD SCREW    |
| 290  | 060900 26600 | SILENCER             |
| 291  | 943400 90000 | TEMPERATURE PROBE    |



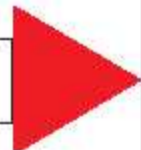
\* Complete set of seals - 549000 26700

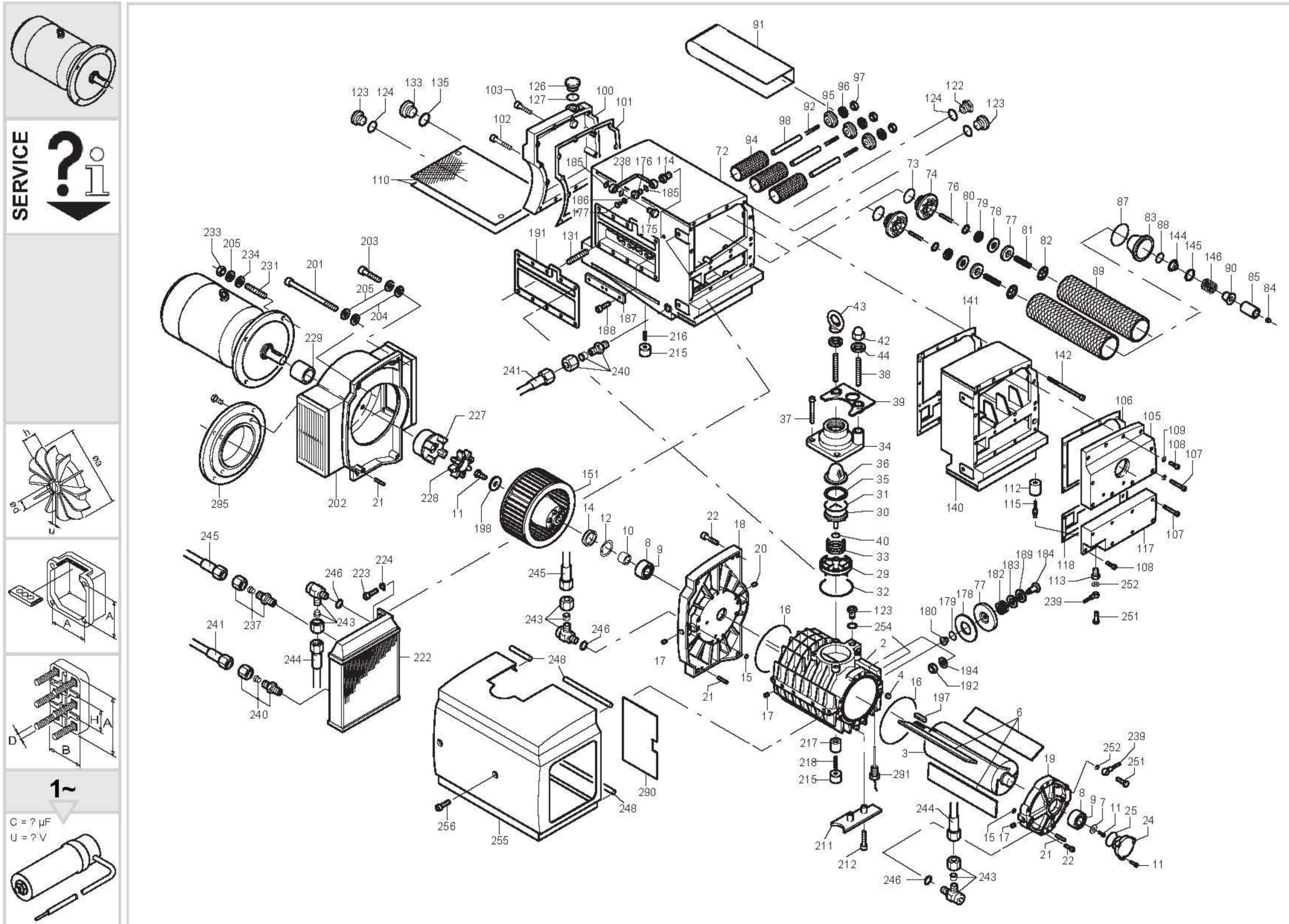
Pos.: 15, 16, 25, 31, 32, 40, 73, 87, 88, 101, 106, 109, 118, 124, 127, 135, 141, 185, 191, 242, 246, 252, 254

**OPTIONAL**

|                            |  |
|----------------------------|--|
| <b>U 4.630 SA/K - 25**</b> | Special design – with oil-to-water heat exchanger                        |
| <b>U 4.630 SA/K - 51**</b> | Special design – with oil bath heating, level transmitter and heat valve |
| <b>U 4.630 F/K - 25**</b>  | Special design – with oil-to-water heat exchanger                        |
| <b>U 4.630 F/K - 51**</b>  | Special design – with oil bath heating, level transmitter and heat valve |
| <b>U 4.630 USA</b>         | all types  |

**\*\* Items different from standard appliance see appendix (back of drawing)**





**SERVICE** ?




1~

C = ?  $\mu$ F  
U = ? V

**standard**

U 4.630 F/K  
U 4.630 SA/K

**optional**  
en option  
opcionale  
opcional

| optional<br>en option<br>optionale<br>opcional  | Variante(n)<br>Modifications<br>Variantes           | Pos                                   |  |                   | Bestell Nr.<br>Ident No.<br>No. Identification<br>No. Identificazione<br>No. De pedido | Beschreibung<br>Description<br>Designation<br>Designazione<br>Desripcion                          |  |
|--|---|---------------------------------------|---|--|--|---|--|
| U 4.630 SA/K - 25<br>U 4.630 SA/K - 51   | U 4.630 (USA)<br>(all variants, plus<br>auxiliarys) | 34                                    | X   | X  | 007801 26600   | GEWINDEFLANSCH / FLANGE / BRIDE / FLANGIA / BRIDA ROSCADA   |  |
|  |   | 105                                   | X   | X  | 002503 26600   | ÖLABSCHEIDERDECKEL / OIL SEPARATOR COVER / COUVERCLE DE SEPARATEUR D'HUILE /                      |  |
|  |   | 227                                   | X   | X  | 902105 26700   | COPERCHIO SEPARAZIONE OLIO / TAPA DE SEPARADOR DE ACEITE  |  |
|  |   | 229                                   | X   | X  | 068094 26700   | MOTORKUPPLUNG / COUPLING MOTOR SIDE / ACCOUPLEMENT MOTEUR / GUINTO MOTORE / ACOPLAMIENTO DE MOTOR |  |
|  |   | 234                                   | X   | X  | 947509 00000   | Distanzstück / Spacer block / Piece d'ecartement / Distanziatore / Pieza distanciadora            |  |
| U 4.630 F/K - 25<br>U 4.630 F/K - 51   | U 4.630 SA/K - 25<br>U 4.630 F/K - 25               | 72                                    | X   | X  | 002401 26600   | ÖLABSCHEIDERGEHÄUSE / HOUSING FOR OIL SEPARATION / CORP DE SEPARATEUR D'HUILE /                   |  |
|  |   | 116                                   | X   |  | 012400 26600   | CARCASSA SEPARAZIONE OLIO / CARCASA DE SEPARADOR DE ACEITE  |  |
|  |   | 121                                   | X   |  | 560202 26600   | ZWISCHENSTÜCK / INTERMEDIATE PIECE / BRIDE / FLANGE / PIEZA INTERMEDIA                            |  |
|  |   | 125                                   | X   |  | 948029 00000   | KÜHLER / COOLER / REFROIDISSEUR / RAFFREDDATORE / REFRIGERADOR                                    |  |
|  |   | 72                                    | X   | X  | 002401 26600   | KUPFERRING / SEALING RING / JOINT / ANELLO / ANILLO DE COBRE                                      |  |
|  |   | U 4.630 SA/K - 51<br>U 4.630 F/K - 51 | 72  | X  | X  | 002401 26600  | ÖLABSCHEIDERGEHÄUSE / HOUSING FOR OIL SEPARATION / CORP DE SEPARATEUR D'HUILE /                      |
|  |   |                                       | 121   | X  |  | 560201 26600  | CARCASSA SEPARAZIONE OLIO / CARCASA DE SEPARADOR DE ACEITE   |
|  |   |                                       | 129   | X  | X  | 943400 70000  | ROHRHEIZKÖRPER / PIPE HEATER / CORPS DE CHAUFFE / SCALDIGLIA / CALEFACTOR TUBULAR                    |
|  |   |                                       | 130   | X  |  | 300300 07000  | TEMPERATURWÄCHTER / THERMOSTAT / THERMOSTAT / INTERRUPTORE TERMICO / TERMOSTATO                      |
|  |   |                                       | 133   | X  | X  | 741103 99682  | REDUZIER-NIPPEL / REDUCING BUSHES / MAMELONS REDUITS / RACCORDO DI RIDUZIONE / BOQUILLA DE REDUCCIÓN |
|  |   |                                       |   | NIVEAUGEBER / LEVEL TRANSMITTER / CAPTEUR DE NIVEAU / INDICATORE DI LIVELLO / CODIFICADOR DE NIVEL |  |   |  |


 standard